

ORDER

CAMABOX BX4000 (SOMFY)

ORDER N°



PLEASE MARK WITH A CROSS, SIZES IN MM, FILL IN COMPLETELY (SEE REVERSE SIDE FOR SPECIAL REMARKS)

NAME	TELEPHONE	ORDER DATE	DESIRED DELIVERY DATE	NOTES
ROAD	CUSTOMER N°	DELIVERY <input type="checkbox"/> BY MAIL <input type="checkbox"/> BY TRUCK <input type="checkbox"/> EXWORKS	ORDERED BY / NAME / SIGNATURE	
ZIP / PLACE	COMMISSION			

STOBAG Österreich GmbH A-3105 St. Pölten-Unterradlberg Tel. +43 (0)2742 362 080 Fax: +43 (0)2742 362 074 www.stobag.at order@stobag.at

ALU - CONSTRUCTION								COLOUR		DRIVE (VIEW FROM OUTSIDE)								WINDING HANDLE	INCLINATION MM			
POSITION	QUANTITY PIECES	COMMISSION	ASSEMBLY TYPE			K1	K2	TOTAL WIDTH MM	TOTAL PROJECTION MM	RAL 9010 / C12 RAL 9006 / C28	CLASSIC TREND RAINBOW RAL NCS VSR	ELECTRONIC	RADIO RTS	RADIO io	0.5m WITH HIRSCHMANN	3.0m MOTOR CABLE	10.0m MOTOR CABLE	GEAR BOX		LEFT	RIGHT	800 MM 1000 MM 1200 MM 1350 MM 1500 MM 1600 MM 1800 MM 2000 MM
			WALL FIXING	TOP FIXING	FRAME ASSEMBLY	ARM POSITION, LEFT MM	ARM POSITION, RIGHT MM															

COVER (DELIVERY ONLY WITH COVER POSSIBLE)		OPTIONS	LIGHTING		CONVENIENCE PACKAGE								VIBRATION SENSOR	COMMISSIONING	
POSITION	QUANTITY PIECES	DESIGN N° *	TENARA THREAD (recommended)	RADIO io DIMMABLE	NO RADIO ON/OFF **	BASIC PACKAGE	CONVENIENCE PACKAGE EASY	CONVENIENCE PACKAGE SUN / WIND 1 CHANNEL (RTS only)	CONVENIENCE PACKAGE SUN / WIND 4 CHANNEL (RTS , io)	CONVENIENCE PACKAGE SUN / WIND / RAIN (RTS only)	CONVENIENCE PACKAGE SUN / WIND / CONNEXOON (io only)				
							1 C	4 C		1 C	4 C	1 C	4 C		

* AS PER FABRIC MATRIX

** ON / OFF SWITCH PROVIDED ON-SITE

1 C = 1 CHANNEL / 4 C = 4 CHANNEL

TECHNICAL DATA

CAMABOX BX4000 (SOMFY)

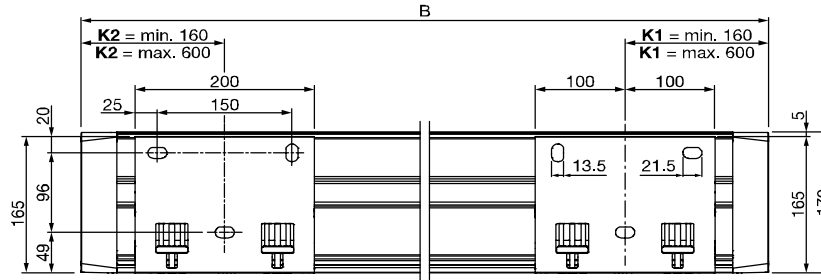


TECHNICAL DATA

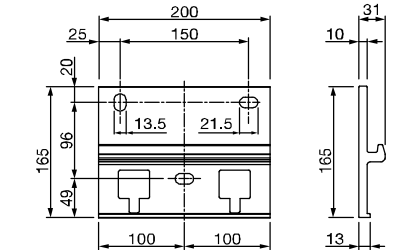
Total width:	max.	5500 mm
	min.	2134 mm
Projection:	max.	3000 mm
	min.	1500 mm
Drive:	Gearbox or motor	
Type of arms:	BX430 1500 / 2000 / 2500 / 3000 mm	
Inclination:	5° to 35° wall fixing 5° to 35° top fixing 5° to 35° rafters fixing	

for further information see product catalogue

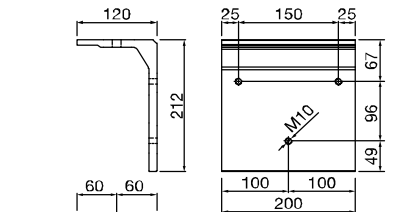
INSTALLATION DRAWING



WALL BRACKET BX424



CEILING BRACKET BX426



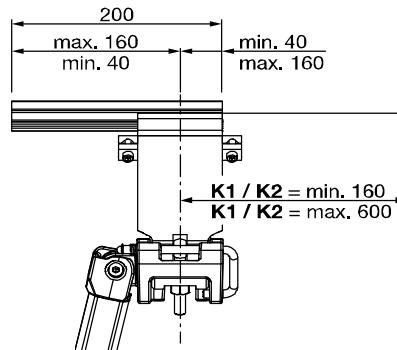
BX430 1500 mm		
B = mm	K1 / K2 min. mm	K1 / K2 max. mm
2134	160	160
2200	160	193
2300	160	243
2400	160	293
2500	160	343
2600	160	393
2700	160	443
2800	160	493
2900	160	543
3000	160	593
3014 - 5500	160	600

BX430 2000 mm		
B = mm	K1 / K2 min. mm	K1 / K2 max. mm
2534	160	160
2600	160	193
2700	160	243
2800	160	293
2900	160	343
3000	160	393
3100	160	443
3200	160	493
3300	160	543
3400	160	593
3414-5500	160	600

BX430 2500 mm		
B = mm	K1 / K2 min. mm	K1 / K2 max. mm
3134	160	160
3200	160	193
3300	160	243
3400	160	293
3500	160	343
3600	160	393
3700	160	443
3800	160	493
3900	160	543
4000	160	593
4014-5500	160	600

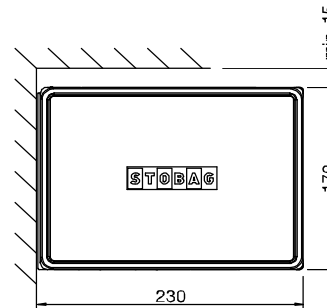
BX430 3000 mm		
B = mm	K1 / K2 min. mm	K1 / K2 max. mm
3734	160	160
3800	160	193
3900	160	243
4000	160	293
4100	160	343
4200	160	393
4300	160	443
4400	160	493
4500	160	543
4600	160	593
4614-5500	160	600

VARIANT

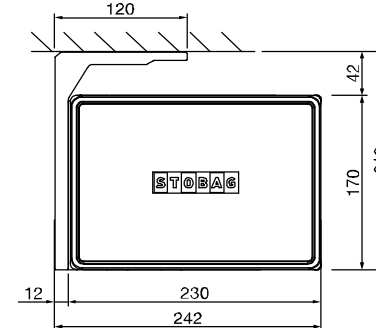


CAUTION:
The brackets must always be installed behind an arm support.

WALL FIXING



TOP FIXING



RAFTER BRACKET BX427

