

ORDER

BOXMOBIL OS7000 (SOMFY)

PLEASE MARK WITH A CROSS, SIZES IN CM, FILL IN COMPLETELY (SEE REVERSE SIDE FOR SPECIAL REMARKS)

ORDER N°



NAME	TELEPHONE	ORDER DATE	DESIRED DELIVERY DATE	NOTES
ROAD	CUSTOMER N°	DELIVERY <input type="checkbox"/> BY MAIL <input type="checkbox"/> BY TRUCK <input type="checkbox"/> EX WORKS	ORDERED BY / NAME / SIGNATURE	
ZIP / PLACE	COMMISSION			

STOBAG Österreich GmbH A-3105 St. Pölten-Unterradlberg Tel. +43 (0)2742 362 080 Fax: +43 (0)2742 362 074 www.stobag.at order@stobag.at

ALU - CONSTRUCTION		TOTAL WIDTH TW INCL. POSTS						TOTAL PROJECTION						FRONT RAIL	COLOUR **	DRIVE (VIEW FROM OUTSIDE)			WINDING HANDLE	PILLARS										
POSITION	QUANTITY PIECES	262 CM	312 CM	362 CM	412 CM	462 CM	512 CM	562 CM	612 CM	662 CM *	300 CM	400 CM	500 CM	600 CM	700 CM	ROUNDED	CLASSIC TREND RAINBOW	ELECTRONIC	RADIO RTS	RADIO io	0.5m WITH HIRSCHMANN	3.0 m MOTOR CABLE	10.0 m MOTOR CABLE	GEARBOX ***	160 CM STANDARD LENGTH	COVERPROFILE ROLLR TUBE	2-PILLAR VERSION WITH CONCRETE SOCKETS OS617	2-PILLAR VERSION WITH FLOOR SLEEVES OS615	VERSION WITH 2 SUPPORTS SB438 FOR FLOOR SYSTEM SB4700	SUPPLY GROUND SOCKETS IN ADVANCE
	COMMISSION																													

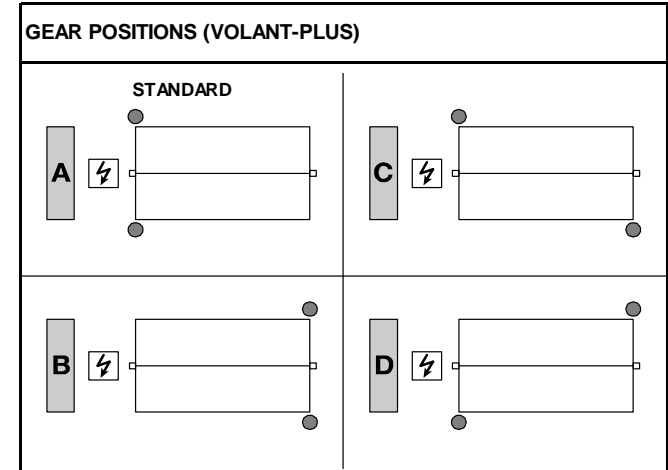
* FROM TOTAL WIDTH OF 612cm / WITH MOTOR DRIVE / OBLIGATORY WITH VOLANT-PLUS

** FOR INFORMATION SEE PRICELIST

*** max. 612 cm TW

FABRIC (DELIVERY ONLY WITH COVER POSSIBLE)		VOLANT-PLUS ****	OPTIONS
POSITION	QUANTITY PIECES	DESIGN N°	INCL. HANDLE 88 cm Standard heights 120 cm acrylic 170 cm Soltis
			GEAR POSITIONS (A, B, C, D)
			TENARA THREAD (recommended)
			WATER EYELETS (waterproof cover)

CONVENIENCE PACKAGE		VIBRATION SENSOR	COMMISSIONING
BASIC PACKAGE	1 C CONVENIENCE PACKAGE EASY		
	4 C CONVENIENCE PACKAGE SUN / WIND 1 CHANNEL (RTS only)		
	CONVENIENCE PACKAGE SUN / WIND 4 CHANNEL (RTS . io)		
	1 C CONVENIENCE PACKAGE SUN / WIND / RAIN (RTS only)		
	4 C CONVENIENCE PACKAGE SUN / WIND / CONNEXOON (io only)		



**** Only with motor drive and folding arms BX330 / BX330/1

1 C = 1 CHANNEL / 4 C = 4 CHANNEL

TECHNICAL DATA

BOXMOBIL OS7000 (SOMFY)



Subject to technical changes

for further information see product catalogue

Total width: min. 262 cm

max. 662 cm

Projection: min. 300 cm

from front rail left to front rail right max. 700 cm

Incline 5° - 35°

PILLARS 80 x 80 mm

OS616/1, OS616/2:

ARMS S534 150 200 250 300 350

BX330 * / ** 150 200 250 300 350

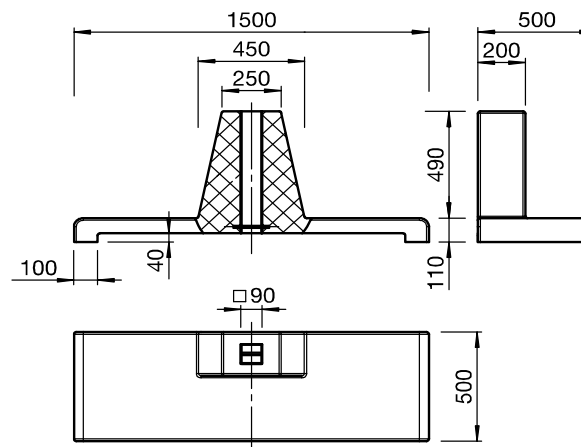
BX330/1 *** --- --- --- --- 350

* from total width of 612cm TB / obligatory with motor

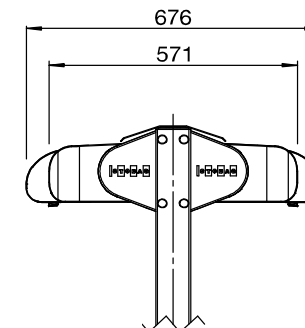
** obligatory with Volant-Plus

*** from total width of 512cm / obligatory with Volant-Plus

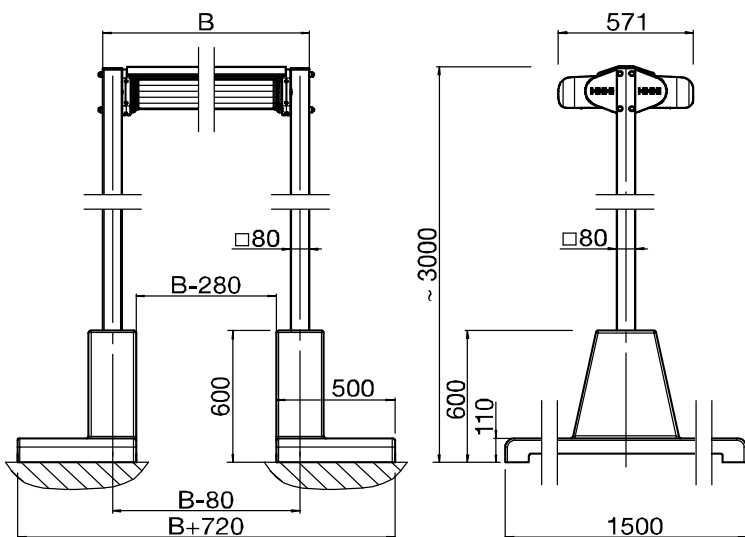
CONCRETE SOCKET OS617



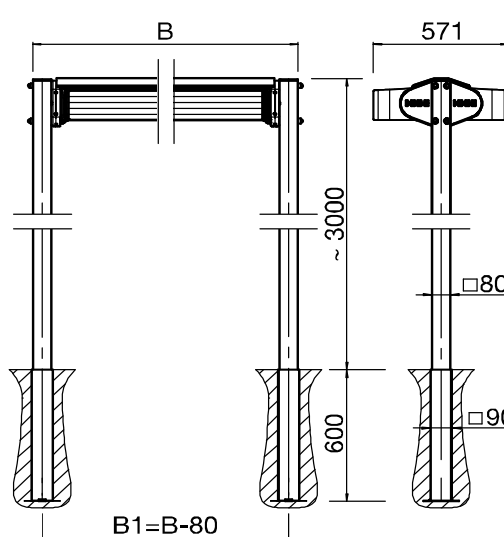
VOLANT-PLUS



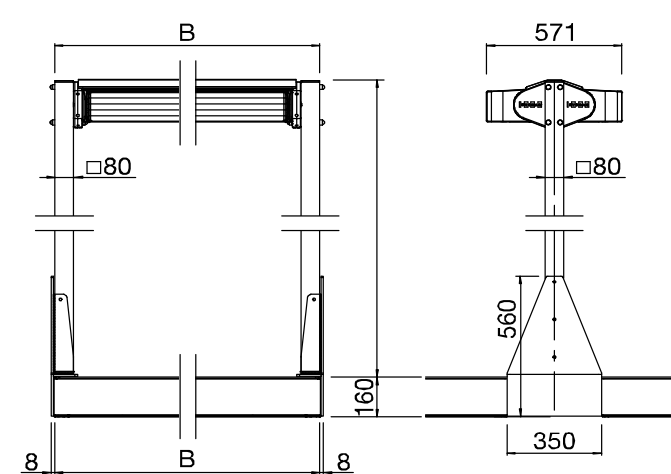
VERSION WITH CONCRETE SOCKETS OS617



VERSION WITH FLOOR SLEEVES OS615



VERSION WITH FLOOR SYSTEM SB4700



B = Total width