

# ORDER

## OMBRAMOBIL OS4000 (SOMFY)

ORDER N° \_\_\_\_\_



PLEASE MARK WITH A CROSS, SIZES IN CM, FILL IN COMPLETELY (SEE REVERSE SIDE FOR SPECIAL REMARKS)

NAME	TELEPHONE	ORDER DATE	DESIRED DELIVERY DATE	NOTES
ROAD	CUSTOMER N°	DELIVERY <input type="checkbox"/> BY MAIL <input type="checkbox"/> BY TRUCK <input type="checkbox"/> EXWORKS	ORDERED BY / NAME / SIGNATURE	
ZIP / PLACE	COMMISSION			

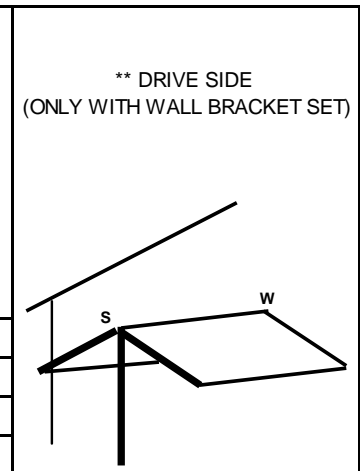
STOBAG Österreich GmbH  A-3105 St. Pölten-Unterradlberg  Tel. +43 (0)2742 362 080  Fax: +43 (0)2742 362 074  www.stobag.at  order@stobag.at

ALU - CONSTRUCTION		TOTAL WIDTH (B)		TOTAL PROJECTION		COLOUR *		DRIVE (VIEW FROM OUTSIDE)		WINDING HANDLE	POSTS		WALL FIXING																	
POSITION	QUANTITY	315 CM	375 CM	435 CM	495 CM	555 CM	300 CM	350 CM	400 CM		450 CM	RAL 9010 / C12	RAL 9006 / C28	ELECTRONIC	RADIO RTS	RADIO io	0.5m WITH HIRSCHMANN	3.0 m MOTOR CABLE	10.0 m MOTOR CABLE	GEARBOX	PROTECTIVE COVER	135 CM STANDARD LENGTH	VERSION WITH 2 LEGS OS416/1 TRANSVERSE FEET OS412	VERSION WITH 2 LEGS OS416/2 WITH GROUND SLEEVES OS315	VERSION WITH 2 SUPPORTS SB437 FOR FLOOR SYSTEM SB4700	GROUND SLEEVES SUPPLY IN ADVANCE	WALL BRACKET OS407	DRIVE SIDE **		
		COMMISSION																												

\* FOR INFORMATION SEE PRICELIST

COVER		(DELIVERY ONLY WITH COVER POSSIBLE)			VALANCE		OPTIONS
POSITION	QUANTITY	DESIGN N°	VALANCE N°	HEIGHT (15 CM RECOMMENDED)	EDGING N°	TENARA THREAD (recommended)	

CONVENIENCE PACKAGE							VIBRATION SENSOR	COMMISSIONING
BASIC PACKAGE	CONVENIENCE PACKAGE EASY		CONVENIENCE PACKAGE SUN / WIND 1 CHANNEL (RTS only)		CONVENIENCE PACKAGE SUN / WIND 4 CHANNEL (RTS , io)			
	1 C	4 C			1 C	4 C		



1 C = 1 CHANNEL / 4 C = 4 CHANNEL

# TECHNICAL DATA

## OMBRAMOBIL OS4000 (SOMFY)



Subject to technical changes

for further information see product catalogue

**Total width:** Max. 555 cm

Min. 315 cm

**Projection:** Max. 450 cm

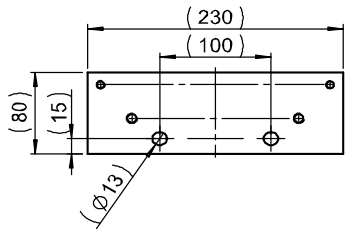
(From front profile left to front profile right)  
Min. 300 cm

**Incline** Max. 20°

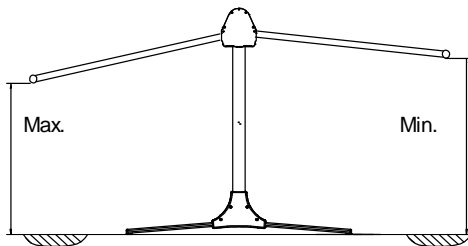
Min. 10°

### WALL BRACKET OS407

(included in the set OS4010/1)

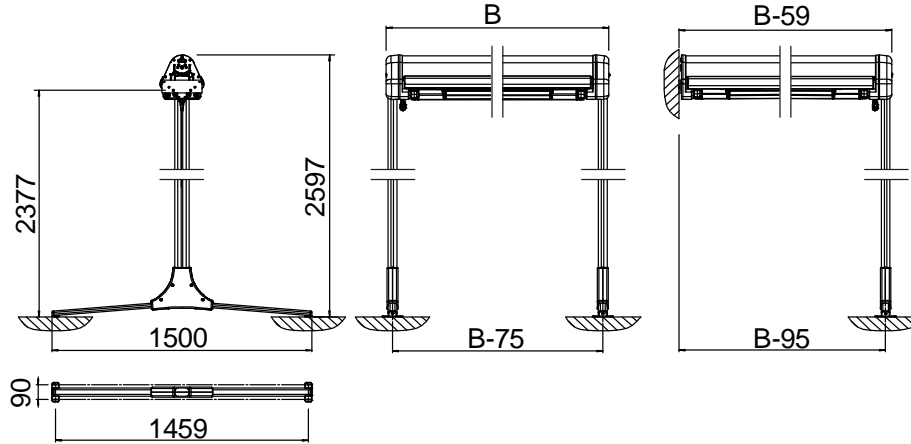


### MIN. / MAX. INCLINATION

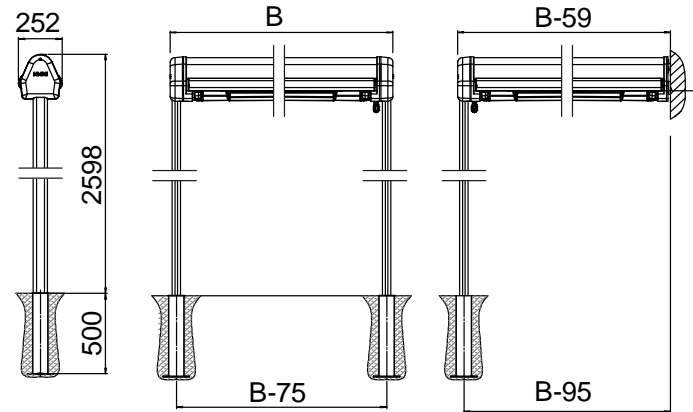


On total projection	Max.	Min.
300 cm:	194 cm	208 cm
350 cm:	190 cm	206 cm
400 cm:	180 cm	204 cm
450 cm:	175 cm	201 cm

### 2-leg version OS416/1 with transversal feet OS412



### 2-leg version OS416/2 with ground sockets OS315



B = Total width

### VERSION WITH FLOOR SYSTEM SB4700

