

TECHNICAL DATA

UNIVERSAL US3510 US3910 (SOMFY)



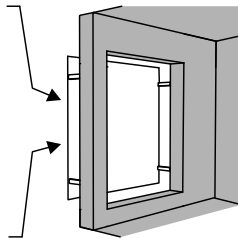
Subject to technical changes

for further information see product catalogue

| | US3510 | US3910 |
|----------------------------|-------------|--------|
| Total width: | max. 400 cm | 450 cm |
| with gearbox: | min. 40 cm | 40 cm |
| with motor M: | min. 59 cm | 59 cm |
| with motor E: | min. 66 cm | 66 cm |
| with motor E radio: | min. 66 cm | 66 cm |
| Total height | | |
| - with guide rails | max. 250 cm | 400 cm |
| - with cable or rod guides | max. 250 cm | 300 cm |
| | min. 40 cm | 40 cm |

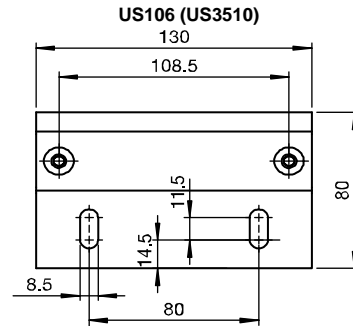
Soltis B-92 / Blockout

STANDARD: Textured side of fabric outwards

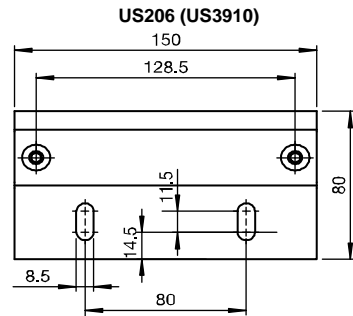


SPECIAL: grey / white side of fabric outwards

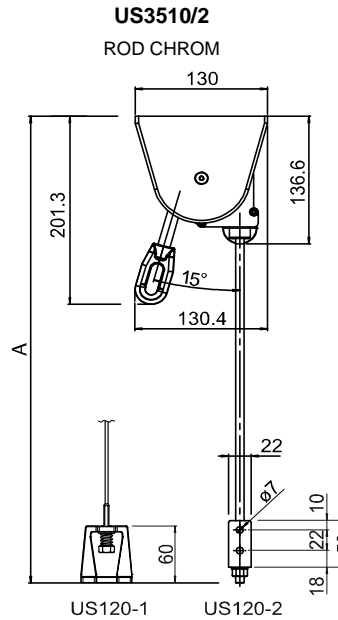
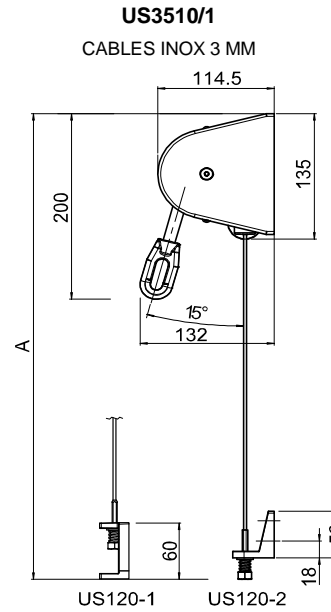
INSTALLATION PLATE



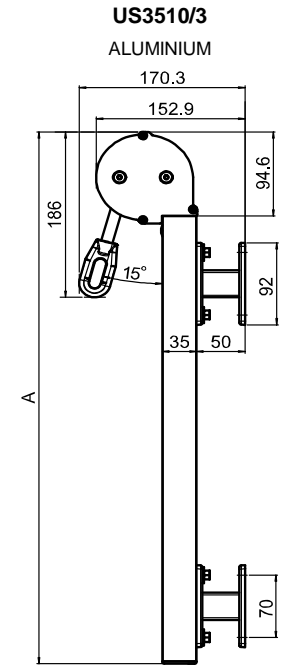
INSTALLATION PLATE



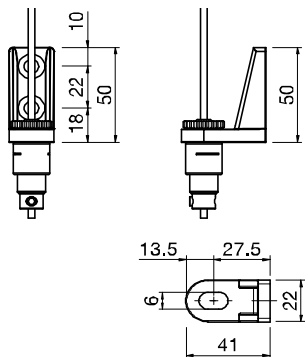
WALL OR TOP FIXING



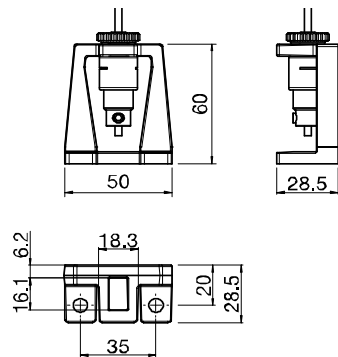
WALL FIXING



US209 HOLDER WITH CHUCK (WALL)

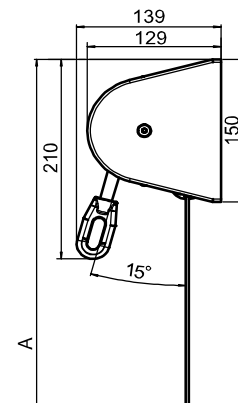


US210 HOLDER WITH CHUCK (FLOOR)



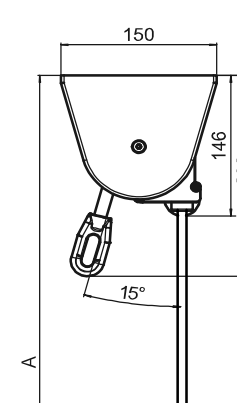
US3910/1

CABLES INOX 3 MM



US3910/2

ROD CHROM



US3910/3

ALUMINIUM

